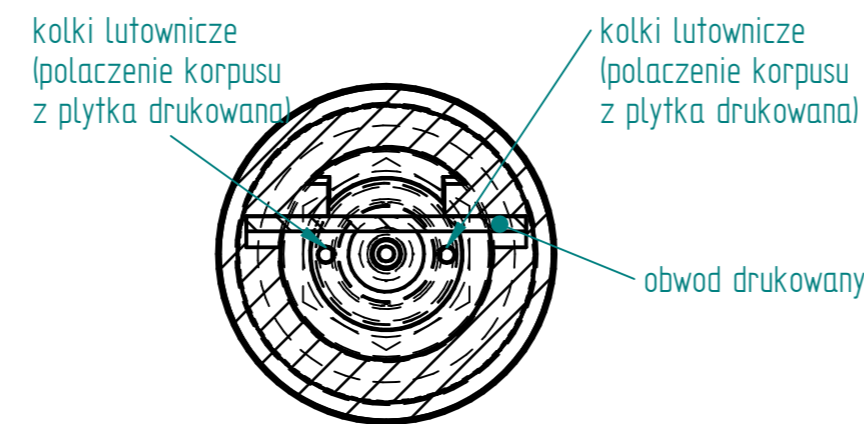
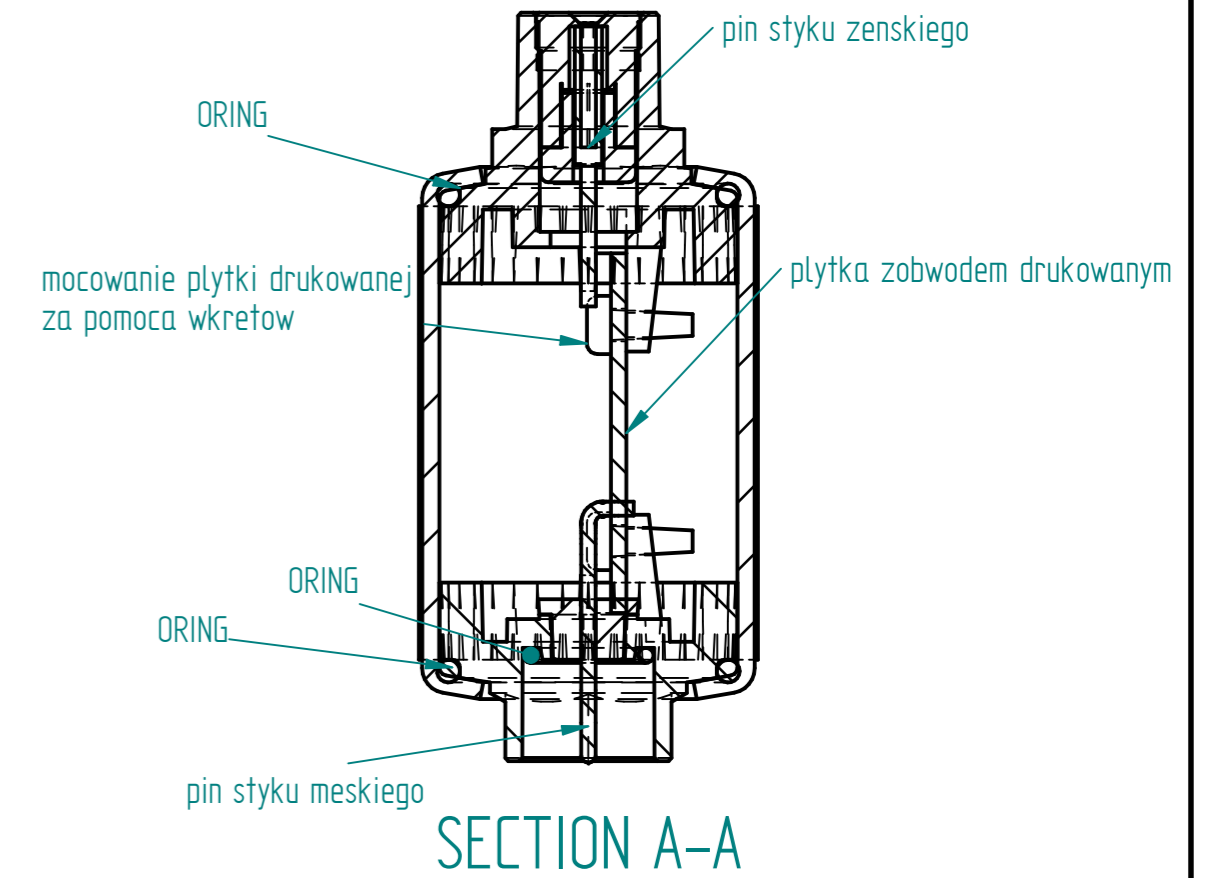
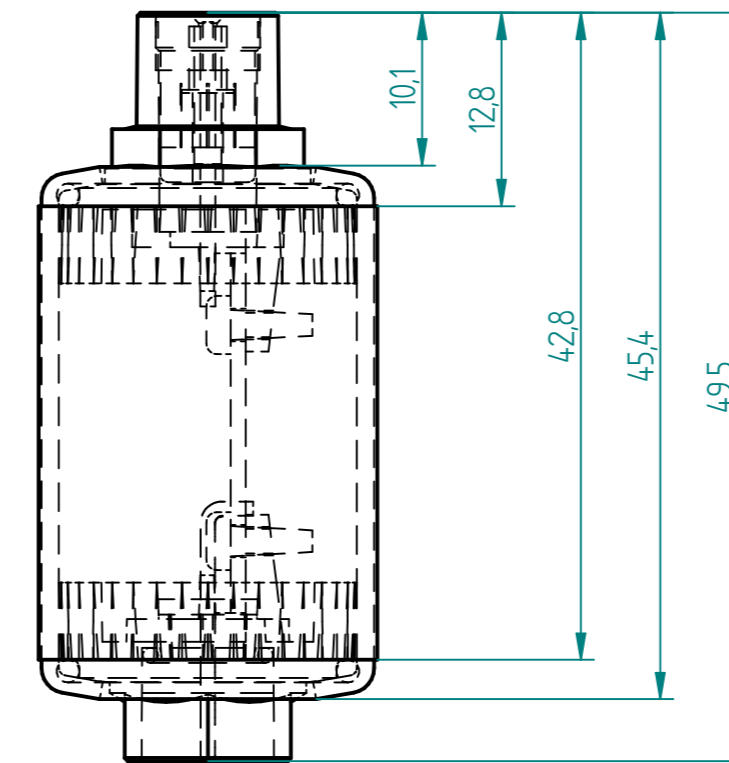
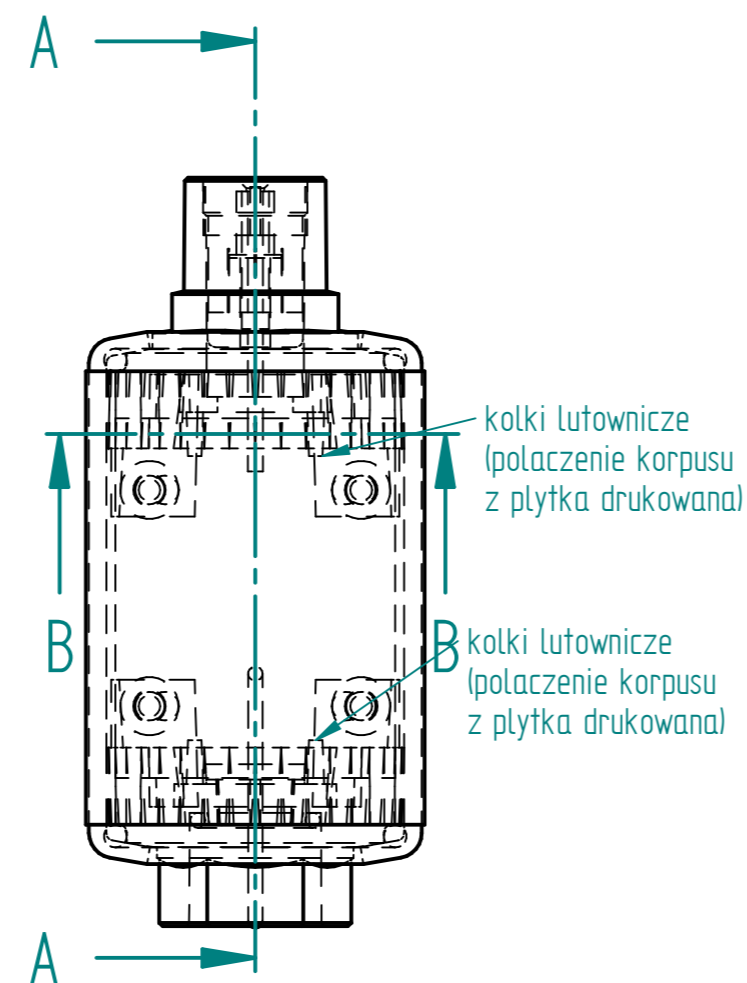
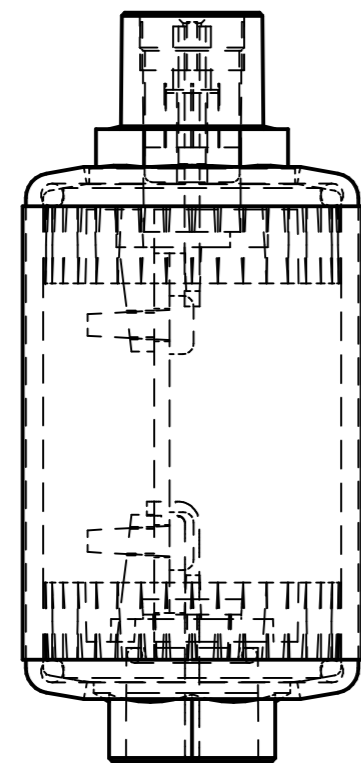
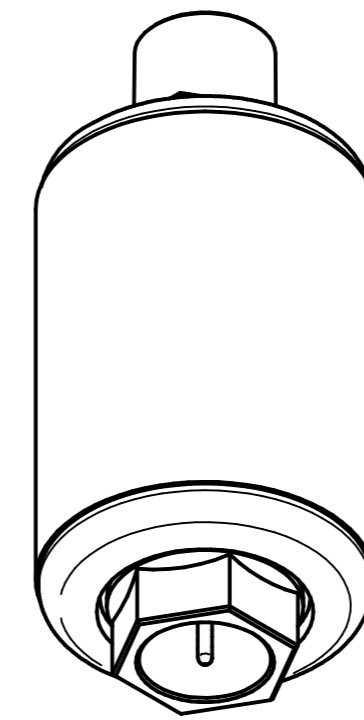
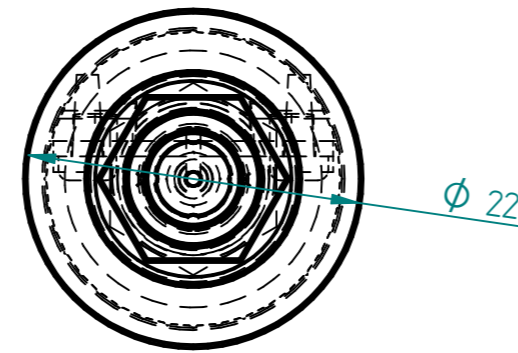
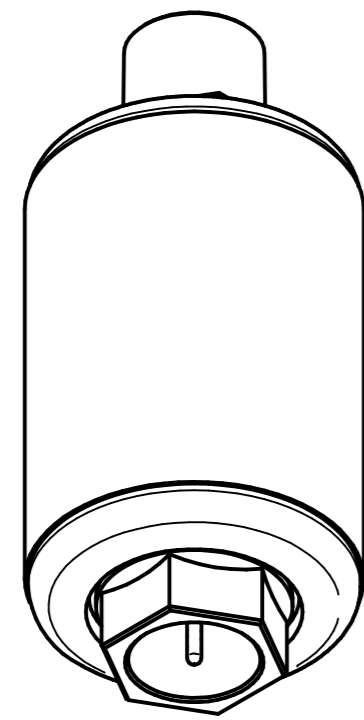
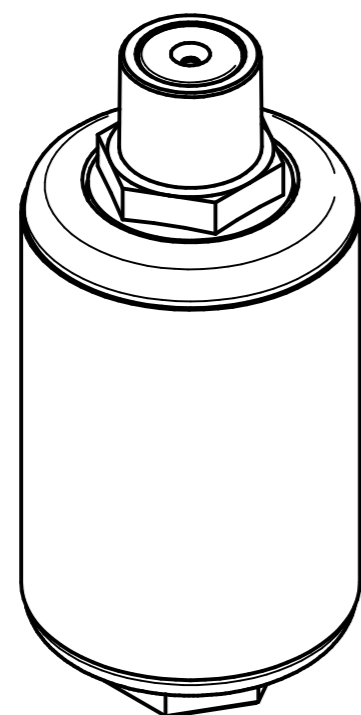


REVISION HISTORY			
REV	DESCRIPTION	DATE	APPROVED



SECTION B-B



	NAME	DATE	Solid Edge	
DRAWN	user	02/10/18	TITLE	
CHECKED				
ENG APPR				
MGR APPR				
UNLESS OTHERWISE SPECIFIED DIMENSIONS ARE IN MILLIMETERS ANGLES ±X.X° 2 PL ±XXX 3 PL ±XXXX			SIZE A2	DWG NO
			FILE NAME: F0D3-30h.dft	REV
			SCALE:	WEIGHT:
			SHEET 1 OF 1	